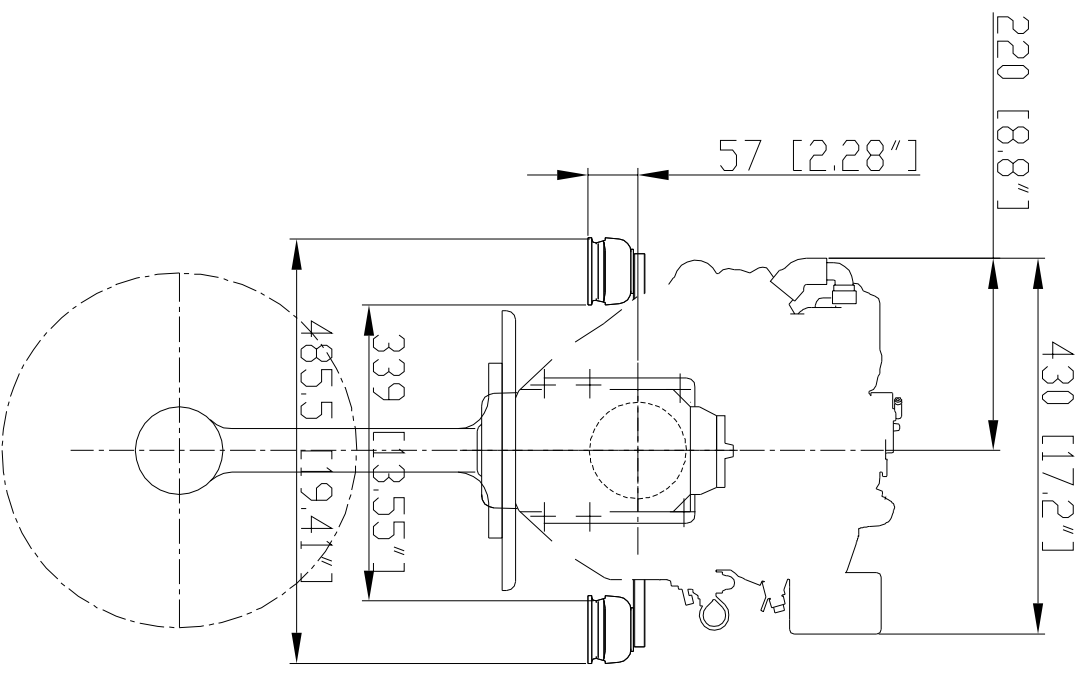


ONLY FOR INFORMATION



N2.10 SAIL DRIVE 110S
 PLAN D'ENCOMBREMENT
 Ech. 1/10
 le 27-11-06

