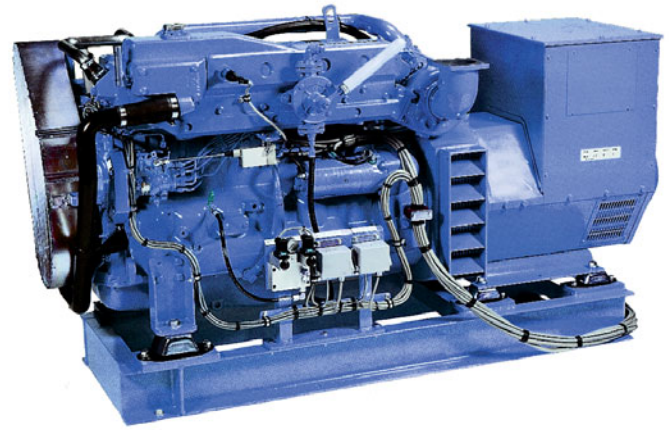


Nanni Generator Set QLS102T

82 kW continuous at 1500 rpm



Engine base

John Deere base Diesel engine

- 4 stroke Diesel engine.
- 6 cylinders in line, 6.8 litres displacement.
- Proven and reliable Mechanical Governor.
- Replaceable wet-type cylinder liners giving an excellent heat dissipation for long life.

Watercooled Exhaust Manifold

- Reduced external connections eliminates hoses and fittings that can leak or break.
- Cooler and quieter environment for vessel and crew.

Heat exchanger

- High-capacity heat exchanger designed for reliable operation in adverse conditions.

Generator

Leroy Somer generator

- Model: LSAM 44.2S7.
- Class H insulation.
- 50 or 60 Hz.
- Voltage regulation $\pm 0.5\%$.
- Radio interference suppression.
- Electronic regulator.
- Available both in 50Hz and 60 Hz version.
- IP23 protection (additional level available on demand).

Standard equipment

- Closed cooling with heat exchanger
- Water-cooled manifold
- 24V Two-pole electrical system
- Baseframe
- Flexible mountings (dampers)
- Oil drain pump mounted on the engine

Optional equipment

- Seawater hoses
- Seawater filter
- Siphon breaker
- Fuel feed system piping
- Leakproof injection piping
- Exhaust system
- Fuel prefilter
- Keel Cooling version
- Dry exhaust
- Engine heater
- Exhaust compensator
- Heating elements in generator
- Generator prepared parallel installation

Generator set ratings

Frequency (Hz)	Rated rpm (rpm)	Voltage (V)	Continuous Power *		Max Power *	
			kW	kVA	kW	kVA
50	1500	400	82	102	98.4	123
60	1800	480	98	122	134.2	167.7

Tri-phased output with power factor $\cos \phi = 0.8$

*Continuous (COP) and max (PRP) power rating according to ISO 8528-1

Weight and dimensions

Weight with baseframe (kg)	1273
Length (mm)	1892
Width (mm)	702
Height (mm)	1106

Generator set QLS102T

Engine specifications

Engine base	John Deere 6068TFM50
Cycle	4 stroke Diesel
Number of cylinders	6 in line
Displacement (l)	6.8
Bore and stroke (mm)	106 x 127
Compression ratio	17.0:1
Intake	Turbo

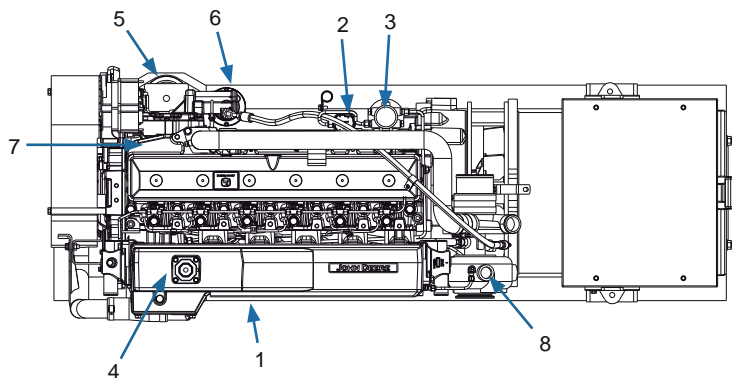
Instrument panel

Luxe GE



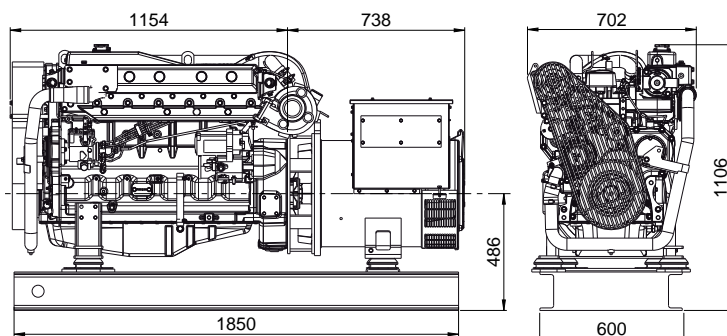
- Start and stop buttons
- Low oil pressure warning light
- Coolant temperature warning light
- Battery charge warning light
- Oil pressure indicator
- Coolant temperature indicator

Main components



- | | |
|--------------------|--------------------|
| 1. Oil drain pump. | 5. Seawater pump |
| 2. Fuel feed pump | 6. Oil filter |
| 3. Fuel filter | 7. Oil filler port |
| 4. Heat exchanger | 8. Exhaust elbow |

Dimensions



Nanni Industries S.A.S. France

11, Avenue Mariotte-Zone Industrielle

33260 La Teste France

Tel : + 33 (0)5 56 22 30 60

Fax : +33 (0)5 56 22 30 79

www.nannidiesel.com

Certified



Your dealer