

Nanni Generator Set

QLS65T

52 kW continuous at 1500 rpm

Engine base

John Deere base Diesel engine

- 4 stroke Diesel engine.
- 4 cylinders in line, 4.5 litres displacement.
- Proven and reliable Mechanical Governor.
- Replaceable wet-type cylinder liners giving an excellent heat dissipation for long life.

Watercooled Exhaust Manifold

- Reduced external connections eliminates hoses and fittings that can leak or break.
- Cooler and quieter environment for vessel and crew.

Heat exchanger

- High-capacity heat exchanger designed for reliable operation in adverse conditions.

Generator

Leroy Somer generator

- Model: LSAM 43.2L8.
- Class H insulation.
- 50 or 60 Hz.
- Voltage regulation $\pm 0.5\%$.
- Radio interference suppression.
- Electronic regulator.
- Available both in 50Hz and 60 Hz version.
- IP23 protection (additional level available on demand).

Standard equipment

- Closed cooling with heat exchanger
- Water-cooled manifold
- 24V Two-pole electrical system
- Baseframe
- Flexible mountings (dampers)
- Oil drain pump mounted on the engine

Optional equipment

- Seawater hoses
- Seawater filter
- Siphon breaker
- Fuel feed system piping
- Leakproof injection piping
- Exhaust system
- Fuel prefilter
- Keel Cooling version
- Dry exhaust
- Engine heater
- Exhaust compensator
- Heating elements in generator
- Generator prepared parallel installation

Generator set ratings

Frequency (Hz)	Rated rpm (rpm)	Voltage (V)	Continuous Power *		Max Power *	
			kW	kVA	kW	kVA
50	1500	400	52	65	57.2	71.5
60	1800	480	62	77	68.2	84.7

Tri-phased output with power factor $\cos \phi = 0.8$

*Continuous (COP) and max (PRP) power rating according to ISO 8528-1

Weight and dimensions

Weight with baseframe (kg)	852
Length (mm)	1570
Width (mm)	702
Height (mm)	1062

Generator set QLS65T

Engine specifications

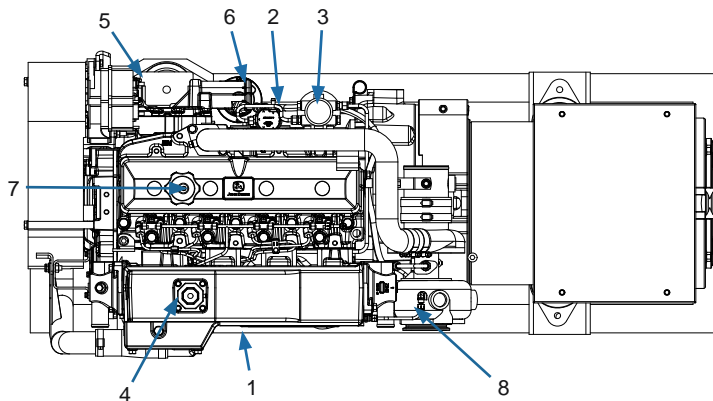
Engine base	John Deere 4045TFM50
Cycle	4 stroke Diesel
Number of cylinders	4 in line
Displacement (l)	4.5
Bore and stroke (mm)	106 x 127
Compression ratio	17.2:1
Intake	Turbo

Instrument panel



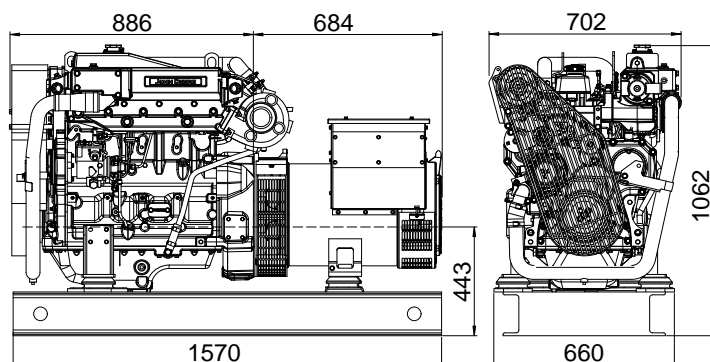
- Start and stop buttons
- Low oil pressure warning light
- Coolant temperature warning light
- Battery charge warning light
- Oil pressure indicator
- Coolant temperature indicator

Main components



1. Oil drain pump.
2. Fuel feed pump
3. Fuel filter
4. Expansion tank
5. Seawater pump
6. Oil filter
7. Oil filler port
8. Exhaust elbow

Dimensions



Nanni Industries S.A.S. France

11, Avenue Mariotte-Zone Industrielle

33260 La Teste France

Tel : + 33 (0)5 56 22 30 60

Fax : +33 (0)5 56 22 30 79

www.nannidiesel.com

Certified



Your dealer