

# DriveMaster Modular 48/96/144 Volt

## Liquid-Cooled

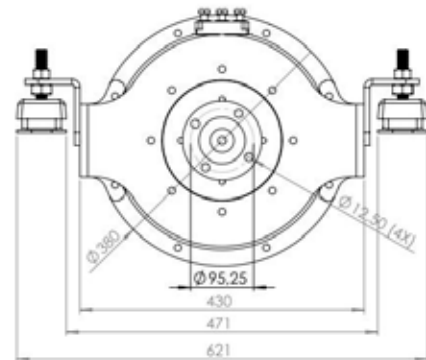
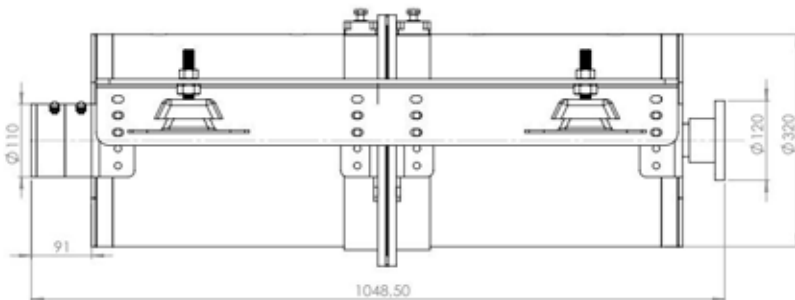
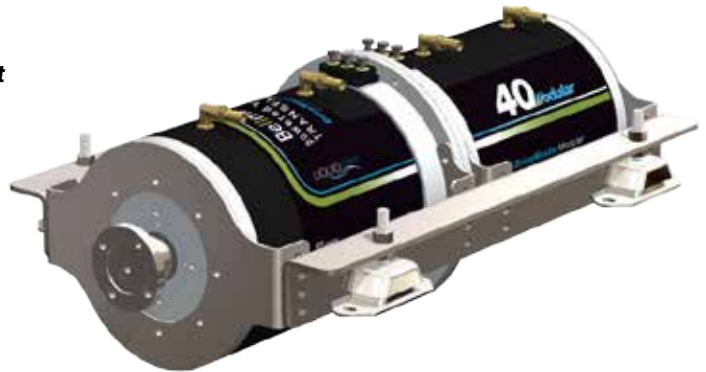
Motor – Liquid cooled complete closed IP66  
Controller liquid cooled



### Modular drive system complete including:

2 x Motor + 2 x Controller, rotation sensor IP68 and temp sensor.  
Including stainless steel motor mounting brackett  
Controller and motor in master / slave configuration.  
Integrated DC-DC converter 144 > 13.8Volt 450 Watt (start up circuit 12V logic)

- Motor + 2x controller water resistant (IP66)
- IFO vector control (superior dynamic response, higher operational efficiency and maximum torque)
- Additional power boost 8 seconds
- **Integrated DC-DC converter 48 / 96 / 144 > 13.8Volt 450 Watt (start up circuit 12V logic 144 V versions)**
- NMEA2000 compatible
- Hybrid function available
- Includes 2x main switch and 2x main fuse
- Quick install / easy connect / plug and play



Art. no:	DESCRIPTION	MOTOR	V	kW	rpm	TORQUE
101485	DriveMaster Modular 40 *30 kW continuously-limited by controller	N80-2	96	40	1450	264 Nm
101478	DriveMaster Modular 50	N80-2	144	50	1450	329 Nm

• Every Bellmarine modular system is delivered complete with 2x high voltage main battery fuse and main switch.

