



Engine Yanmar 4TNV88

Type	Diesel, 4 Stroke
Cooling system	Water cooled
Cylinders	4
Displacement (c.c. - cu.in)	2190 - 133,5
Engine output (hp)	24,5
RPM	1500
Injection system	Direct
Governor	Mechanical
Lubrication system	Forced
Oil sump capacity (L - gal)	7,4 - 1,9
Stop system	Solenoid
Fuel tank capacity (L - gal)	40 - 10,5
Autonomy 3/4 load (h)	16
Starter battery (Ah-V)	80 -12
Battery charger (Ah-V)	15 -12
Starter motor (kW-V)	1,4 / 12

Generator

Type	Synchronous, 4 poles, selfexcited
Regulation	Compound
Voltage (V)	400 / 230
Frequency (Hz)	50
3-Phase data	
Voltage (V)	400
Max. output (kVA)	22
Cont.output (kVA)	20
Power factor (cos ϕ)	0,8
Single-Phase data	
Voltage (V)	230
Max. output (kVA)	5,3
Power factor (cos ϕ)	1
Insulation class	H
Voltage stability	$\pm 10\%$
Frequency stability	$\pm 5\%$

Soundproof cabin

- With frame and openable hoods made of steel panels and epoxidic paint.

Engine

- Easy access in case of maintenance to the feeding system, lubrication system and air filter.
- Safety stop in case of low oil pressure.
- Safety stop in case of high water temperature.
- Oil and fuel filters are easily accessible and easily replaceable.
- Water cooled engine with radiator.

Control panel

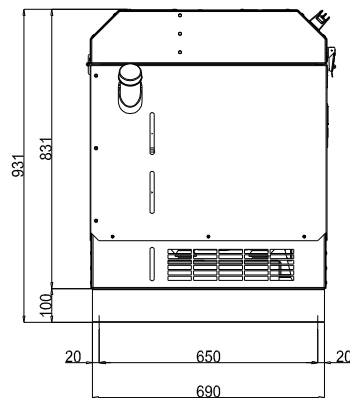
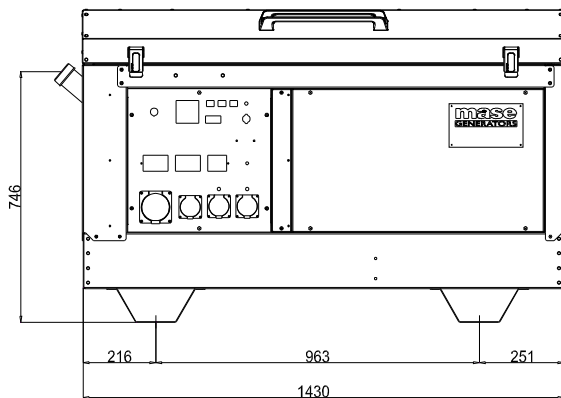
- The **mase** control panel for manual starting and stopping has been designed and built to combine all the control instruments and warning lights and protections both for the engine and the generator.
- Control panel is made of painted steel plate and include the following main equipment:
 - Voltmeter • 4-pole circuit breaker and earth fault device • 3-pole magnetothermal switch 16A • 1-pole magnetothermal switch • Electronic device for automatic shutdown of the engine in case of HWT and LOP • Emergency stop pushbutton • Ignition key • Warning light for high cooling water temperature and low oil pressure • Hourmeter • Socket 32A 400V 3P+N+G • Socket 16A 400V 3P+G N°2 Socket 2P+G 230V 16A

Generator

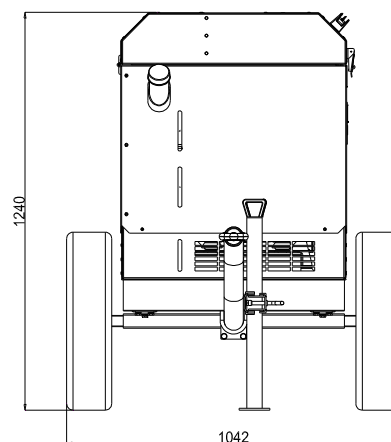
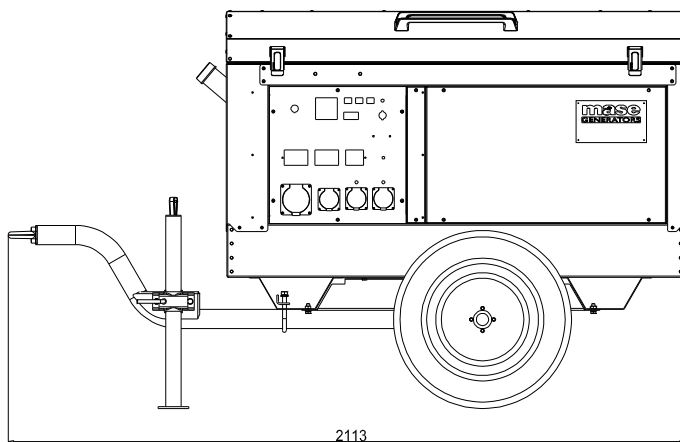
- Synchronous, 4 poles, self-excited
- Rotor and stator epoxidic resin coated against enviromental agents.
- Rotor dynamically balanced.
- Insulation class H.

MPF 22

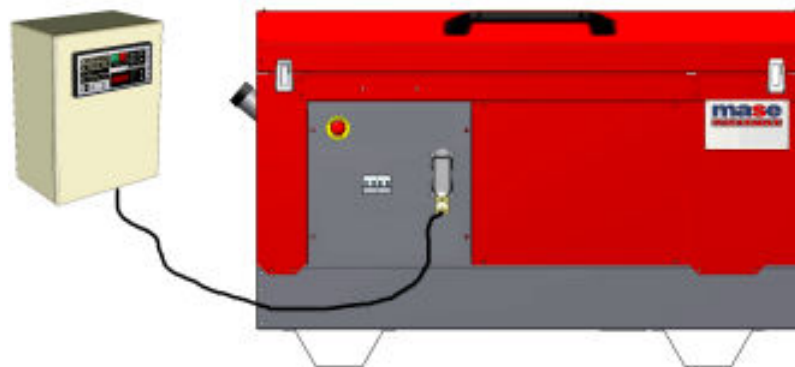
STANDARD version (BA)



FIXED TOW version (TF)



Automatic control panel and transfer switch version



	MPF 22 BA	MPF 22 TF	
Length	1430 - 56,3	2113 - 83,2	mm - in
Width	690 - 27	1042 - 41	mm - in
Height	931 - 36,5	1240 - 48,8	mm - in
Weight	480 - 1058	510 - 1124	kg - lbs
Noise power level 96 LwA			

Dealer:

OPTIONALS: SITE TOW VERSION

This drawing is only a reference and is not indicatly for the installation.
For more information, you may contact your local dealer or **mase** generators S.p.A.

mase generators S.p.A. reserves the right to change the design or specifications without notice and without any obligations or liability whatsoever
For more information, you may contact your local **mase** dealer.



MASE GENERATORS S.p.a. Via Tortona, 345
47522 Cesena (FC) Italy
Tel.+39-0547-354311 Fax.+39-0547-357555
Email : mase@masegenerators.com